



STAINLESS STEEL DIAPHRAGM SEAL

SERIES 5000

FEATURES:

The Series 5000 from Blue Ribbon Corporation are diaphragm seals or isolation devices used to provide economical protection of pressure sensing instrumentation from measured media. The Series is designed with a stainless steel diaphragm for small to medium instrumentation ranging from 30 to 2500 PSI. The Series 5000 provides ultimate protection for gauges and measuring instruments thru 2½" dial sizes in applications where space is at a premium.



Series 5000

TECHNICAL SPECIFICATIONS:

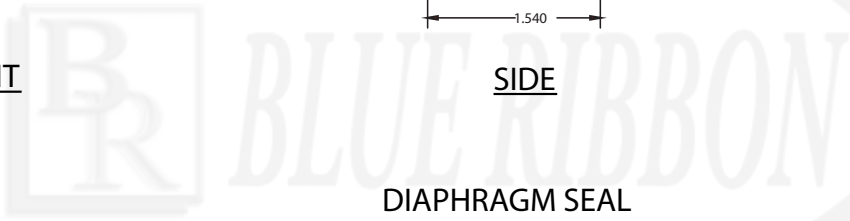
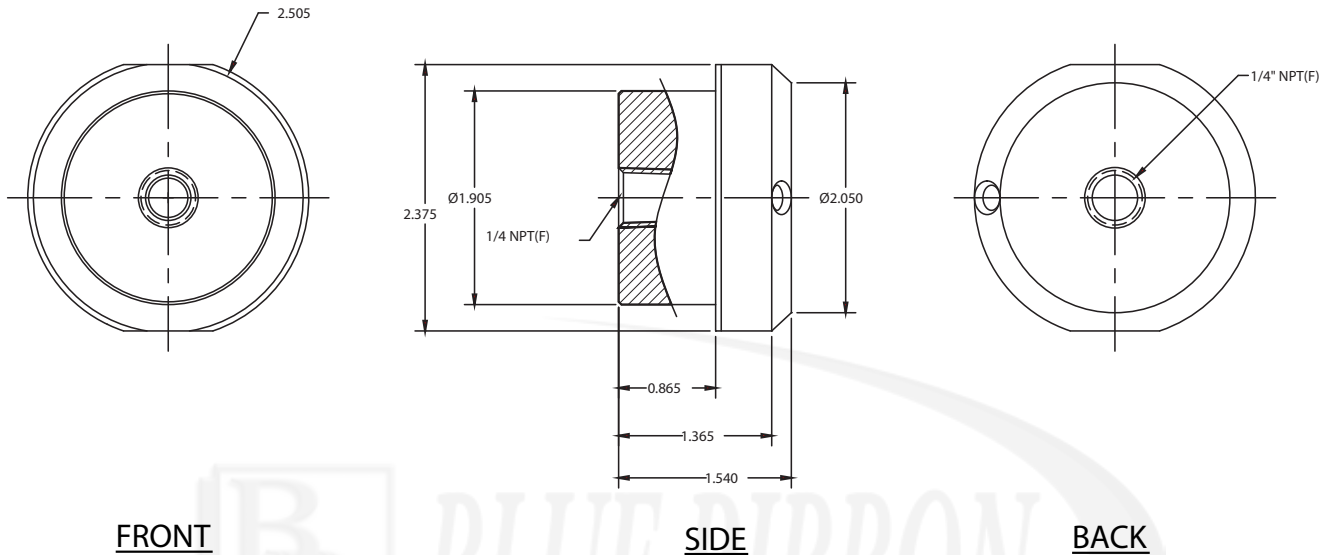
- **Housing:** 316 Stainless Steel
- **Diaphragm:** 316 Stainless Steel
- **Operating Pressure:** 30 to 2500 PSI
- **Instrument:** ¼" NPT
- **Process Connections:** ¼" and ½" NPT
- **Process Temperature:** -49 °F to +302 °F

Part #	Description
BR-D-5000	¼" NPT x ¼" NPT
BR-D-5001	¼" NPT x ½" NPT
BR-D-5002	½" NPT x ½" NPT

STAINLESS STEEL DIAPHRAGM SEAL

DIMENSIONAL DRAWING

All dimensions are in inches (mm)



DIAPHRAGM SEAL
316SS
5000 SERIES

All specifications are for reference purposes only. In the interests of continuous product improvement, all specifications are subject to change without notice. Please contact Blue Ribbon Corporation for assistance with your application.

