



FLUSH MOUNT PRESSURE TRANSMITTER

MODEL BR340-IM



Model BR340-IM
Flush Mount Design

Current Approvals:



FEATURES:

- Flush faced sensor minimizes media plugging and damage
- Compact 1" diameter
- Rugged, all-welded stainless steel design
- No zero offset from installation
- 5X proof pressure

APPLICATIONS:

- Wastewater treatment
- Onboard vehicles
- Skidded systems
- Sludge and slurries
- Adhesives and paints
- Pump suction and discharge lines of blender trucks
- Corrosive and high viscosity media

PRODUCT OVERVIEW:

The Model BR340-IM series from Blue Ribbon Corporation is a flush face mounted industrial pressure transmitter. It is expressly designed for higher viscosity media, particularly where such media can otherwise clog or damage traditional non-flush port sensor designs. The rugged, all-welded, Inconel design of the BR340-IM series allows for greater compatibility with corrosive media. No zero offset is caused during sensor installation.

FIELD OPTIONS:

- Direct NPT or flanged process mounting
- Select electrical connectors
- 4-20 mA or 0-5Vdc output

AVAILABLE APPROVALS:

- ATEX & IEC Hazardous approvals
- FM & CSA Pending

BR5SL-TX-017
REV-C

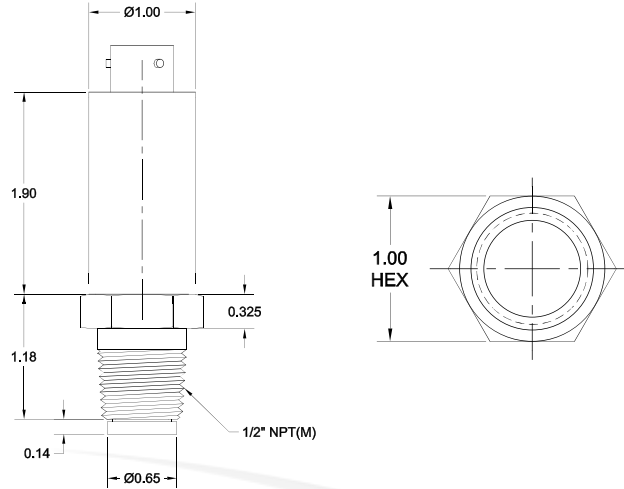
FLUSH MOUNT PRESSURE TRANSMITTER

DIMENSIONAL DRAWING

All dimensions are in inches (mm)

WIRING CONFIGURATION

PIN	DESCRIPTION
A	+EXC/SIG
B	-EXC/SIG
C	N/C
D	N/C
E	N/C
F	CASE GND



REFERENCE SPECIFICATIONS

ELECTRICAL	MECHANICAL
<ul style="list-style-type: none"> • Supply Voltage: 9.0 to 40 Vdc • Output Signal: 4-20 mA • Load Impedance: 1,350 Ω max. at 36 Vdc and 750 Ω max. Vdc • Circuit Protection: RFI, EMI and reverse polarity • Insulation Resistance: > 10 MΩ at 50 Vdc and 70 °F • Connection: 1/2" NPT (M) conduit with 3/6" cable leads or 6-pin connector (PTIH-10-6P) 	<ul style="list-style-type: none"> • Process Connection: 1/2" NPT (M) • Pressure Ranges: 0-75 thru 0-750 PSI (5 thru 52 BAR) gauge, sealed gauge, absolute • Proof Pressure: 2X FSO or 2K PSI (138 BAR), whichever is less (5X FSO optional) • Burst Pressure: 5X FSO or 3.5K PSI (242 BAR), whichever is less • Environmental: Designed to meet IP67 (Some options may affect this. Consult factory if critical.) • Approximate Weight: <0.5lb (225g)
MATERIALS OF CONSTRUCTION	TEMPERATURE
<ul style="list-style-type: none"> • Wetted Parts: Inconel 718 • Housing: 316 stainless steel 	<ul style="list-style-type: none"> • Compensated: 0 °F to +180 °F (-17.8 °C to +82 °C) • Operating Range: -50 °F to +250°F (-46 °C to +121 °C) • Storage Ambient: -65 °F to +250°F (-53 °C to +121 °C) • Effect on Zero/Span: \pm2.0% FSO/100 °F
STATIC ACCURACY (RSS) (HYSTERESIS, NON-LINEARITY & REPEATABILITY @ +70 °F)	
Standard: \pm 0.5% FSO Improved: \pm 0.2% FSO Zero & Span Balance: \pm 2.0% FSO at +70 °F	

All specifications are for reference purposes only. In the interests of continuous product improvement, all specifications are subject to change without notice. Please contact Blue Ribbon Corporation for assistance with your application.

