



LEAD FREE STEEL UTILITY GAUGE

MODEL BRLF100D



Model BRLF101D



FEATURES:

- Lead Free steel utility gauge with brass socket and movement
- Dial Sizes: 1 1/2", 2", 2 1/2", and 4"
- An inexpensive utility gauge for the broad commercial market
- Suitable for air, water, oil, gas or any other media not corrosive to brass
- Available in bottom or center connect 1/8" or 1/4" (M) NPT

SPECIFICATIONS:

- Black Steel Case
- Lens Material: Glass
- Brass Socket and Movement
- Dial Sizes: 1 1/2", 2", 2 1/2", and 4"
- Phosphor Bronze Bourdon Tube
- Dry, Non-Fillable
- Connection Sizes:
1/8" (M) NPT on 1 1/2" and 2"
1/4" (M) NPT on 2" and 2 1/2"
- Accuracy: 3-2-3% (ASME B40.1 Grade B)
- Ambient Temperature: -50 °F to +160 °F
- Dual Scale: PSI & BAR (x100=kPa)
- IP52 Enclosure
- Overpressure: 25% FSO
- Working pressure: 75% FSO

FIELD OPTIONS:

- U-clamp Mount (UC)
- Front Flange Mount (FF)
- Back Flange Mount (BF)
- Plastic Case

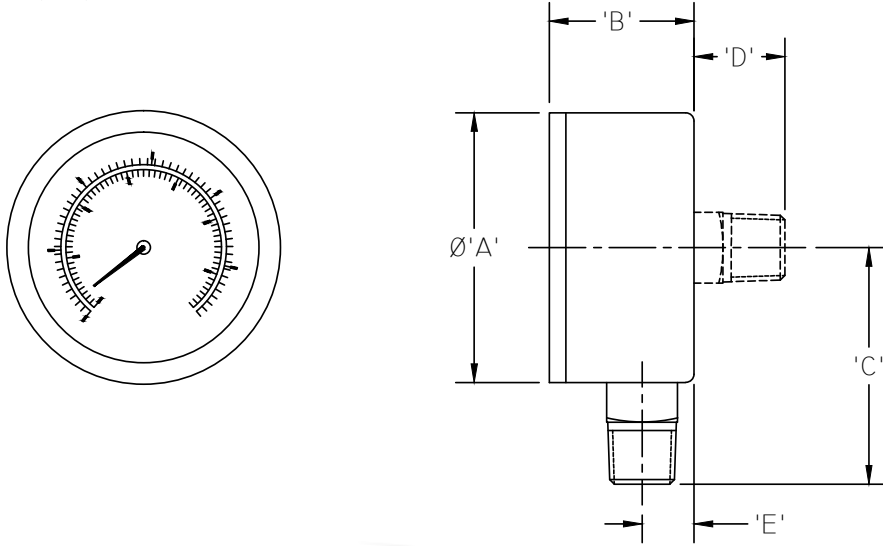
RANGE	RANGE CODES	FIGURES	MINOR, INC.
³⁰ / ₀ " VAC	A	5" hg	0.5" hg
³⁰ / ₀ "15	CB	10" hg / 5 PSI	0.5" hg / 0.5 PSI
³⁰ / ₀ "30	CC	10" hg / 10 PSI	1" hg / 0.5 PSI
³⁰ / ₀ "60	CD	10" hg / 10 PSI	2" hg / 1 PSI
³⁰ / ₀ "100	CE	30" hg / 20 PSI	5" hg / 2 PSI
³⁰ / ₀ "150	CF	30" hg / 20 PSI	5" hg / 2 PSI
³⁰ / ₀ "300	CH	30" hg / 50 PSI	10" & 5 PSI
⁰ / ₁₅	B	2 PSI	0.2 PSI
⁰ / ₃₀	C	5 PSI	0.5 PSI
⁰ / ₆₀	D	10 PSI	1 PSI
⁰ / ₁₀₀	E	20 PSI	2 PSI
⁰ / ₁₆₀	F	20 PSI	2 PSI
⁰ / ₂₀₀	G	40 PSI	5 PSI
⁰ / ₃₀₀	H	50 PSI	5 PSI
⁰ / ₄₀₀	I	50 PSI	5 PSI
⁰ / ₆₀₀	K	100 PSI	10 PSI
⁰ / ₁₀₀₀	M	200 PSI	20 PSI
⁰ / ₁₅₀₀	N	200 PSI	20 PSI
⁰ / ₂₀₀₀	O	400 PSI	50 PSI
⁰ / ₃₀₀₀	P	500 PSI	50 PSI
⁰ / ₅₀₀₀	R	1000 PSI	100 PSI
⁰ / ₆₀₀₀	S	1000 PSI	100 PSI
⁰ / ₁₀₀₀₀	U	2000 PSI	200 PSI

BR5SL-G-001-2
REV-A

LEAD FREE STEEL UTILITY GAUGE

DIMENSIONAL DRAWING

All dimensions are in inches (mm)



BRLF100D
DRY GAUGE

DIAL SIZE	'A'	'B'	'C'	'D'	'E'
Ø1.50 BOTTOM	1.65	0.875	1.43	0.615	0.315
Ø1.50 BACK	1.65	1.05	-	0.550	-
Ø2.00 (1/8)	2.05	1.125	1.615	0.635	0.37
Ø2.00 (1/4)	2.05	1.125	1.815	0.700	0.37
Ø2.50	2.49	1.20	1.22	0.700	0.40
Ø4.00	3.95	1.40	2.845	0.905	0.48

ORDERING GUIDE

Example: BRLF102D158C

BRLF102	D	15	8	C
Model Number		Dial Size	Connector Size	Pressure Range
101 - bottom connect		1.5" - 15	8 - 1/8" NPT	See chart on page 1
102 - back connect		2.0" - 20	4 - 1/4" NPT	
Fill Type		2.5" - 25		
D - dry, non-filled		4" - 40		

Available in Front Flange (FF), Back Flange (BF), and U-Clamp (UC) Mount.

All specifications are for reference purposes only. In the interests of continuous product improvement, all specifications are subject to change without notice. Please contact Blue Ribbon Corporation for assistance with your application.

